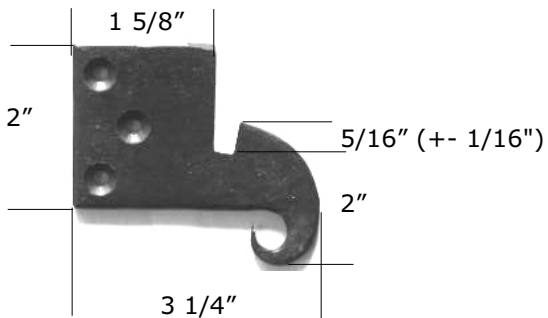


HS503 (shown w/HL101)  
AVAILABLE WITH ANY LEVER

**HH441 Normandy Thumbblatch Entry with HS503 Vertical Strike-Bar Latch**

- \* Standard backplate profile thickness: 3/8"
- \* HH441 4.5" Total Projection
- \* With Mortise Deadbolt



**Standard Mortise Strike**

- \* Made of 3/16" thick stock