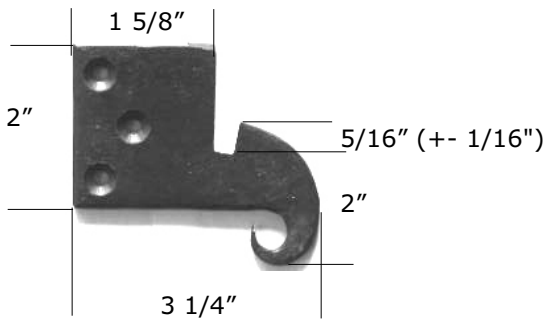


HH456 Sierra Thumbblatch Entry with HS514 Sierra Strike-Bar Latch

- * Standard backplate profile thickness: 3/8"
- * HH456 2.75" Total Projection
- * With Mortise Deadbolt



Standard Mortise Strike

- * Made of 3/16" thick stock