

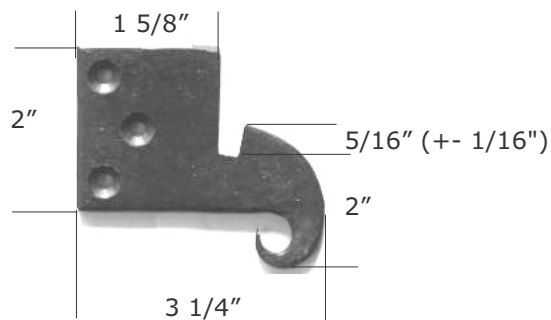


HS503-EN-DB (shown w/HL101)

AVAILABLE WITH ANY LEVER

### HH441 Normandy Thumbblatch DEADBOLT Entry with HS503 Vertical Strike-Bar Latch

- \* Standard backplate profile thickness: 3/8"
- \* HH441 4.5" Total Projection
- \* With Tubular Deadbolt
- \* Works with pre-bored 5.5" c-t-c doors. Optional face plate and custom strike can be ordered to cover lower face and edge bores. Contact us for pricing.



Standard Mortise Strike

\* Made of 3/16" thick stock